

MOBI BASIN MIXER

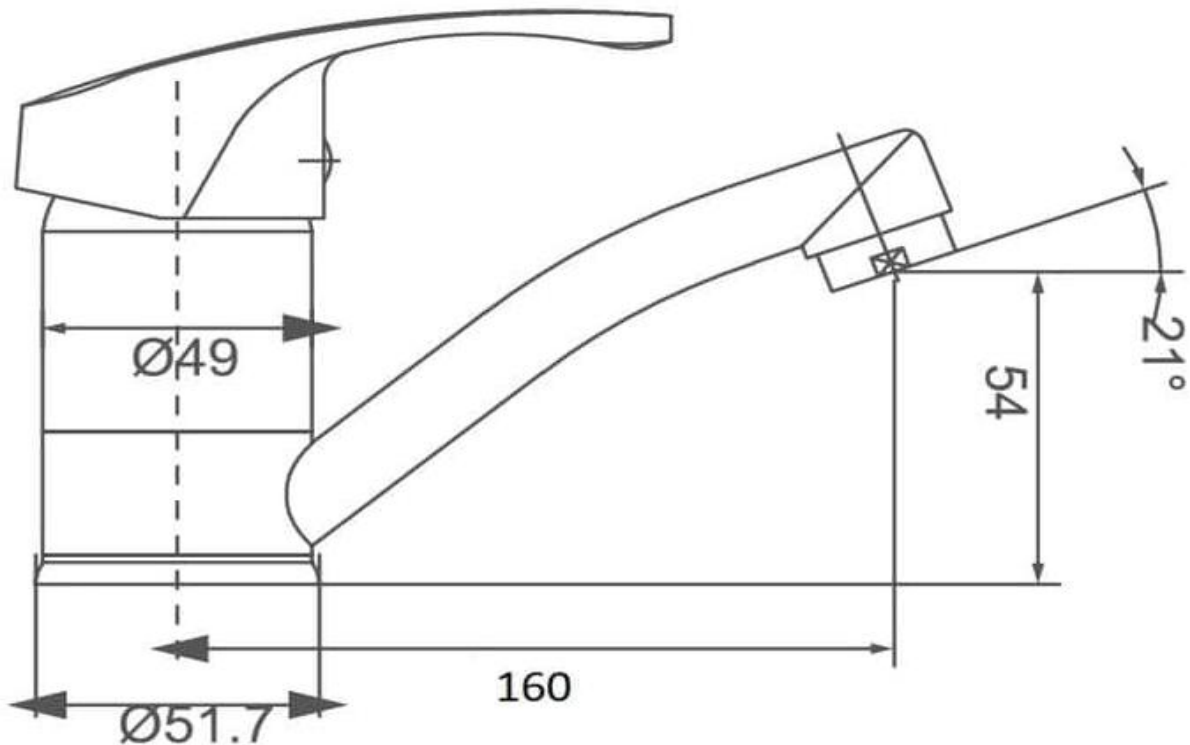


WELS: 5 Star 6L/min
WELS Reg No: T27435
Pressure Rating: Min 150KPa - Max 500KPa
Temperature Rating: Min 1°C - Max 75°C



Chrome
WT 150

SPECIFICATIONS



CLEANING & MAINTENANCE:

Tapware should be cleaned with mild detergent and water
All Products must be cleaned with a soft cloth with soapy water, avoid waxes, solvents, abrasives, acids and other chemical based cleaners
Warranty will be void if damages are caused by unsuitable cleaning products

WARRANTY INFORMATION:

25 years cartridge and structure
5 years PVD finishes (purchased after 01/01/2026)
1 year non-PVD finishes
1 year parts & labour
Note: Hoses, slides, wall fixings, brackets: **1 year**

ZENIMO
Zen-inspired, Modern Living

ADDRESS: 42 Castro Way, Derrimut VIC 3026
PHONE: (03) 8390 6300
OFFICE: ect_sales@outlook.com
SERVICE: ect_service@outlook.com
WEBSITE: www.zenmo.com.au